



# Pro

## Single Universal 40mm PLL LNB IDLO-SNS4110OPRO-OPN

Item: 5597

Designed to address the demanding requirements of DTH operators worldwide, the PRO LNB series is highly competitive and provides outstanding reception performance using advanced microwave design and technology. The PRO LNB series supports Standard, High and Ultra High Definition transmissions, delivers excellent RF performances, very low power consumption and is designed to protect the satellite signal from 4G/LTE interferences. This LNB enables the reception of satellite TV and Radio from a single satellite and its distribution to a single Set-top box. Manufactured to the highest industry quality standards and engineered to meet strict specifications, this LNB is an ideal solution for DTH operators and satellite broadcast reception across the world.

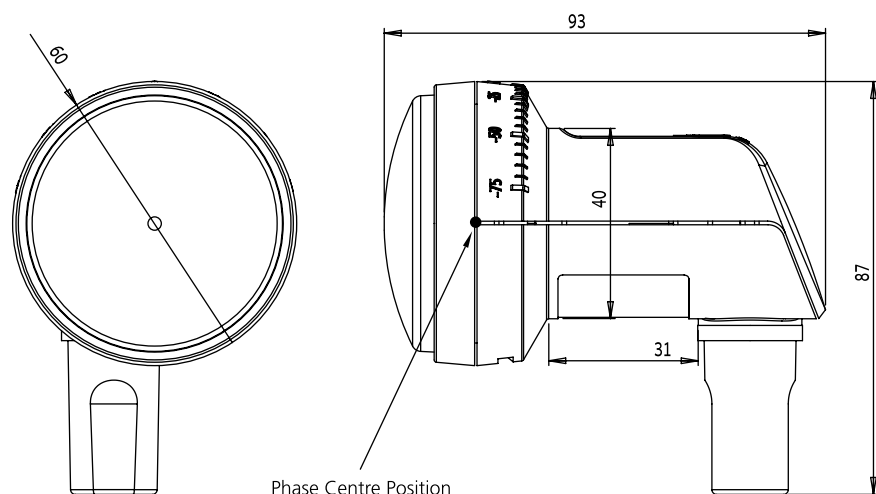
### Main Features:

- Low Phase Noise, DVB-S2 (HDTV) compliant
- Low Noise Figure
- Low power consumption
- High Cross Polarization Isolation
- High Frequency stability [PLL]
- High immunity against 4G interferences



## Technical data

Low band input frequency range	10.7 GHz ~ 11.7 GHz
Low band output frequency range	950 MHz ~ 1950 MHz
Low band LO frequency	9.75 GHz
High band input frequency range	11.7 GHz ~ 12.75 GHz
High band output frequency range	1100 MHz ~ 2150 MHz
High band LO frequency	10.6 GHz
Noise figure	0.6 dB typ. (0.9 dB max.)
LO frequency accuracy @ 25° C	±600 kHz
LO temperature drift	±1 MHz
LO phase noise @ 10 kHz	-80 dBc / Hz max.
Conversion gain	55 dB min.
Gain ripple (over 26 MHz bandwidth)	±0.75 dB
Gain variation (over full band)	±3 dB
Image rejection	40 dB min.
3th order intermodulation - ICP3	10 dBm min.
1 dB compression point (@ output)	0.0 dBm min., >3 dBm typ.
Cross polarization isolation	23 dB min., 25 dB typ.
Polarization selection - Vertical	10.0 V ~ 14.0 V
Polarization selection - Horizontal	16.0 V ~ 21.0 V
Control signal Cc (band switching)	22 kHz ±4 kHz, 0.4 V ~ 0.8 V pp
Output VSWR	2.0 : 1
In band spurious level	-60 dBm max.
Current consumption	100 mA max. @ 10 V ~ 21 V
Operating temperature	-30 °C ~ +60 °C
Output impedance	75 Ω
Output connector type	F-Type (female)
Weight	83 g



For purpose of brevity, some product descriptions in this sheet remain at platform level and may not be referred to as detailed datasheets of the products. Inverto Digital Labs reserves the right to amend, omit or add products, product-lines, and / or features without notice.

For further details contact: [sales@inverto.tv](mailto:sales@inverto.tv)  
 FTA Communication Technologies S.à r.l. Tel. +352 264 367 1 Fax. +352 264 313 68